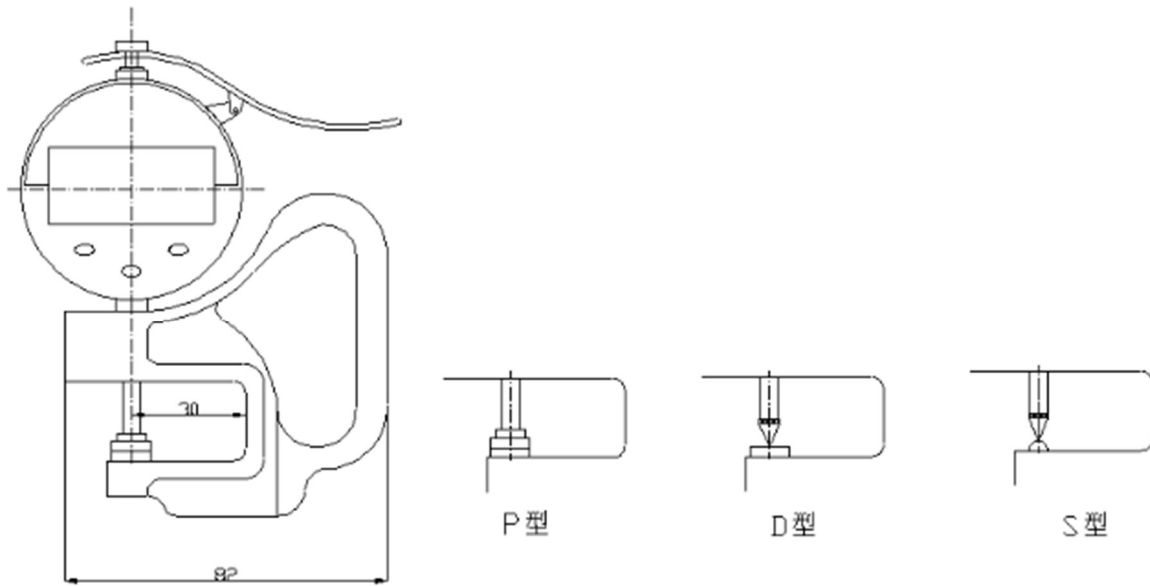


Digital tube thickness gauge



PRODUCT DESCRIPTION





1. Ceramic probe, metal shell and handle, compact and firm structure, easy operation and stable work
2. Large LCD screen to quickly display data
3. Automatic power switch
4. Clear at any position
5. Conversion from metric to English
6. 3v environmental protection lithium battery, battery life is greater than 1 year
7. Three types of probes are available
8. Measure the thickness of jewelry, leather, metal sheet, paper, film, rubber, fabric and various metal plates, glass plates, etc.

Measuring range mm	Resolution mm / inch	Allowable error mm	Measuring depth mm
0-10	0.01 / 0.0005"	± 0.03	30